



• DC • SD6025PT



60x60x25mm / 2.4x1inch

38~12 CFM

Model No	Rated Volt	Voltage Range	Input Power	Rated Current	Ref. Speed	Max. Airflow		Max. Static Pressure		Noise Level	PQ Curves
	VDC	VDC	Watt	A	RPM	CFM	m3/min	Inch/H2O	mm	db(A)	
SD6025PT-05H(HH)	5	4~6	1.2	0.24 (-0.32)	3600	25	0.7	0.22	5.59	30	HH
SD6025PT-05H	5	4~7	1.2	0.24	3200	20	0.6	0.17	4.32	26	H
SD6025PT-05M	5	4~7	0.9	0.17	2800	15	0.4	0.14	3.56	21	M
SD6025PT-05L	5	4~7	0.6	0.12	2000	12	0.3	0.10	2.54	18	L
SD6025PT-12H (HHH)	12	8~13.8	1.8	0.15 (-0.29)	5500	38	1.1	0.26	6.6	38	HHH
SD6025PT-12H (HH)	12	8~13.8	1.8	0.15 (-0.21)	4400	32	0.9	0.24	6.1	32	HH
SD6025PT-12H	12	8~13.8	1.8	0.15	4000	25	0.7	0.22	5.59	30	H
SD6025PT-12M	12	8~14	1.5	0.12	3200	17	0.5	0.16	4.06	25	M
SD6025PT-12L	12	8~14	1	0.08	2500	14	0.4	0.14	3.56	20	L
SD6025PT-24H (HHH)	24	12~27.6	2.8	0.12 (-0.18)	5500	38	1.1	0.26	6.6	38	HHH
SD6025PT-24H (HH)	24	12~27.6	2.8	0.12 (-0.15)	4400	32	0.9	0.24	6.1	32	HH
SD6025PT-24H	24	12~27.6	2.8	0.12	4000	25	0.7	0.22	5.59	30	H
SD6025PT-24M	24	12~27.6	2.2	0.09	3000	17	0.5	0.16	4.06	25	M
SD6025PT-24L	24	12~28	1.5	0.06	2500	14	0.4	0.14	3.56	20	L
SD6025PT-48H (HHH)	48	24~53	3.4	0.07 (-0.11)	5500	37	1	0.26	6.6	38	HHH
SD6025PT-48H (HH)	48	24~55	3.4	0.07 (-0.1)	4400	32	0.9	0.24	6.1	32	HH
SD6025PT-48H	48	24~56	3.4	0.07	4200	28	0.8	0.23	5.84	30	H

- ** = "WB" for wire lead type Ball bearing, or "TB" for terminal type Ball bearing
- Sinwan reserves the right to change data and improve electrical & mechanical design without notice, data tolerance +-10%

Motor

Motor Type: Brushless DC Motor, auto cutoff auto restart optional only

Burnout Protection: Impedance protected

IP Protection: -

Mechanical

Frame: Glass fiber reinforced thermoplastic, rated UL94V-0(PT)

Impeller: 7 blades, glass fiber reinforced plastic, rated UL94V-0

Bearing: Two ball bearings

Rotation: CCW seen on rotor

Connection: Wire lead or terminal flat pin connecting

Weight: 65 g (0.14 Lbs)

Electrical

Dielectric Strength: 500 VAC/min. Max leakage 500mA

Speed Control: Optional: PWM, S/C NTC thermister

Signal Output: Optional: R/D alarm output, tachometer output

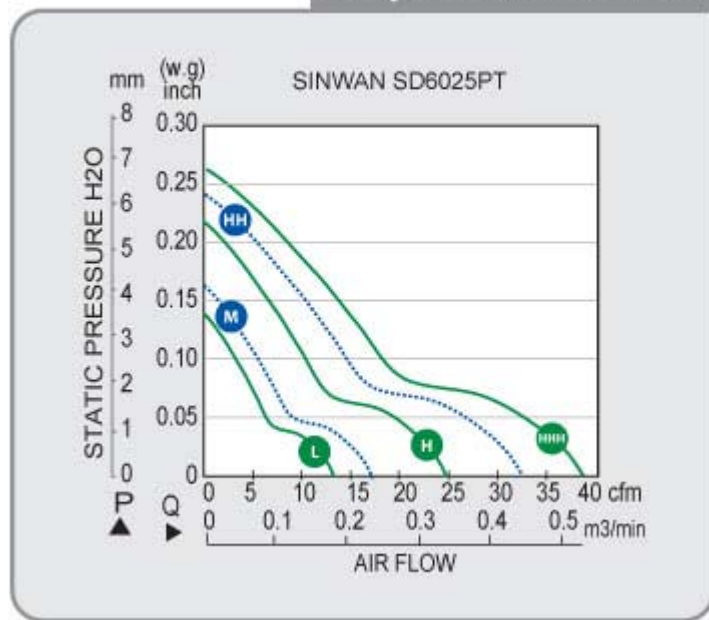
Environment

Operating Temp: Ambient non-condensing -15~ +65C

Storage Temp: -25C~ +80C (at 65%RH)

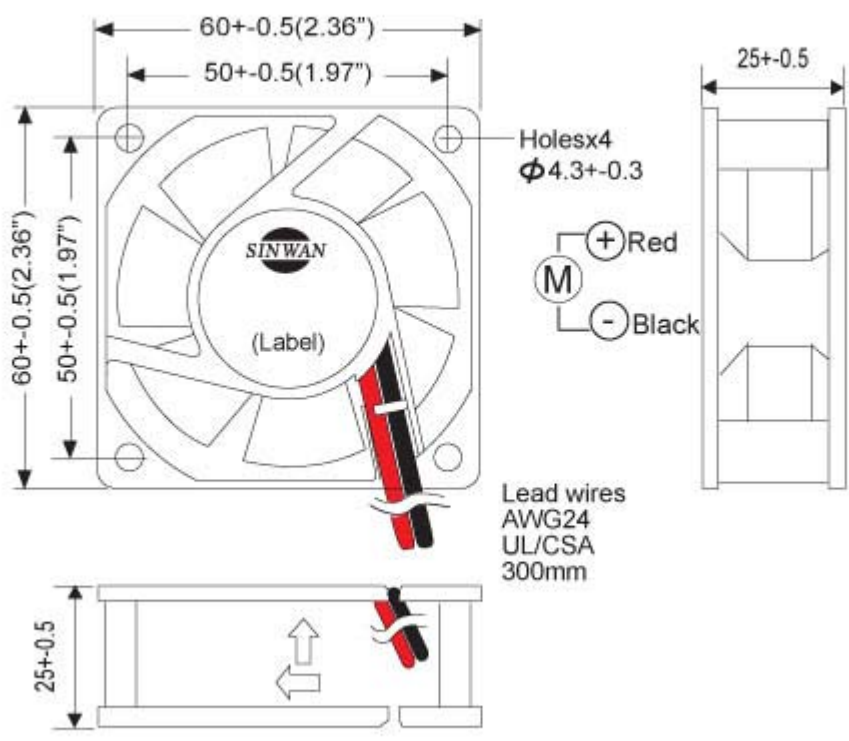
Life Expectancy: L10 60K hours at 45C, 45K hours at 65C

Performance P-Q Curves



- Nomenclature
- R/D Alarm
- F/G Tach
- S/C Function
- PWM Function

▶ Outline Dimensions



Relevant products



Metal Fan Guard
G60-4, G60-4F



Plastic Fan Guard
G60P, G60P2, G60P4



Plastic Fan Filter
GRM60-30, GRM60-45



Metal Fan Screen
MF60S-30N



RoHS

SINWAN Email: info@sinwan.com.tw http://www.sinwan.com.tw