



120x120x38mm / 4.7x1.5inch

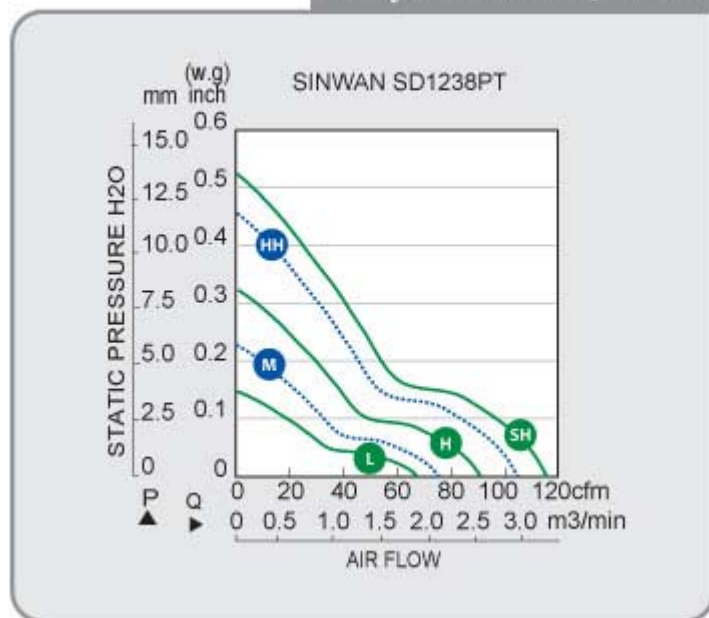
118~65 CFM

Model No	Rated Volt	Voltage Range	Input Power	Rated Current	Ref. Speed	Max. Airflow		Max. Static Pressure		Noise Level	PQ Curves
	VDC	VDC	Watt	A	RPM	CFM	m3/min	Inch/H2O	mm	db(A)	
SD1238PT-05SH**	5	4~6	9.5	1.9	3600	110	3.1	0.48	12.19	46	SH
SD1238PT-05HH**	5	4~6	8	1.6	3300	98	2.8	0.43	10.92	43	HH
SD1238PT-05H**	5	4~6	3.5	0.65	2900	85	2.4	0.28	7.11	40	H
SD1238PT-05M**	5	4~6	3.0	0.55	2400	72	2	0.18	4.57	32	M
SD1238PT-05L**	5	4~6	2.0	0.40	2000	65	1.8	0.13	3.3	26	L
SD1238PT-12SH**	12	8~13.8	10.6	0.88	4000	118	3.3	0.52	13.21	48	SH
SD1238PT-12HH**	12	8~13.8	8.4	0.7	3500	105	3	0.45	11.43	45	HH
SD1238PT-12H**	12	8~13.8	6.0	0.50	3000	88	2.5	0.29	7.37	42	H
SD1238PT-12M**	12	8~13.8	4.8	0.40	2500	75	2.1	0.18	4.57	33	M
SD1238PT-12L**	12	10~14	2.4	0.20	2000	65	1.8	0.13	3.3	26	L
SD1238PT-24SH**	24	15~26	10.3	0.43	4000	118	3.3	0.52	13.21	48	SH
SD1238PT-24HH**	24	15~26	8.4	0.35	3500	105	3	0.45	11.43	45	HH
SD1238PT-24H**	24	15~26	5.5	0.23	3100	90	2.5	0.31	7.87	42	H
SD1238PT-24M**	24	18~27	4.6	0.19	2550	75	2.1	0.21	5.33	33	M
SD1238PT-24L**	24	18~27.6	3.6	0.15	2000	65	1.8	0.13	3.3	26	L
SD1238PT-48SH**	48	28~55	10.6	0.22	4000	118	3.3	0.52	13.21	48	SH
SD1238PT-48HH**	48	28~55	7.7	0.16	3500	105	3	0.45	11.43	45	HH
SD1238PT-48H**	48	28~55	5.5	0.10	3100	90	2.5	0.31	7.87	42	H
SD1238PT-48M**	48	28~55.2	4.6	0.08	2550	78	2.2	0.23	5.84	33	M
SD1238PT-48L**	48	30~56	3.6	0.07	2000	65	1.8	0.13	3.3	26	L

- ** = "WB" for wire lead type Ball bearing, or "TB" for terminal type Ball bearing
- Sinwan reserves the right to change data and improve electrical & mechanical design without notice, data tolerance +-10%

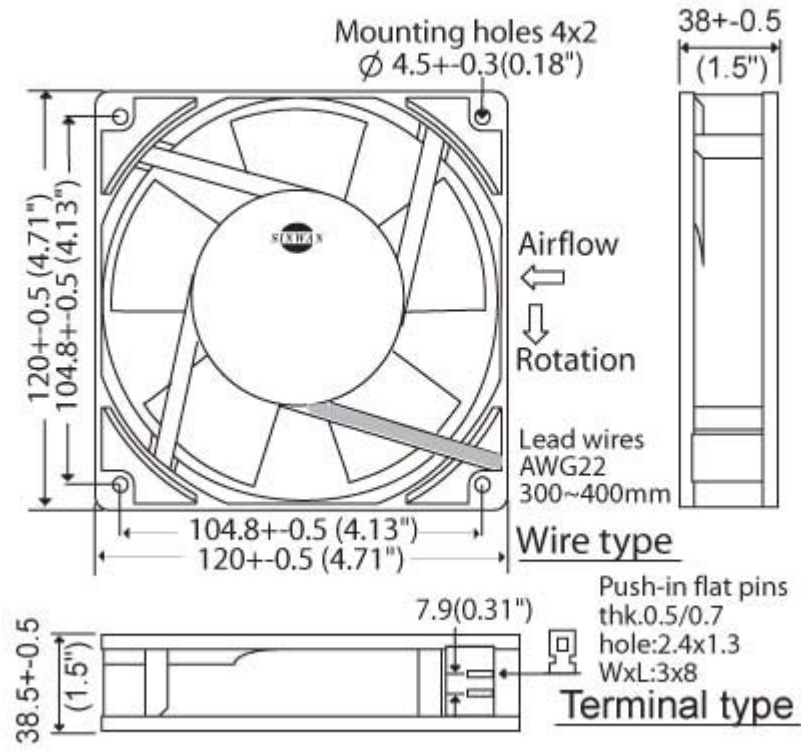
Motor	
Motor Type:	Brushless DC Motor, auto cutoff, auto restart
Burnout Protection:	Electronically protected, polarity protected
IP Protection:	-
Mechanical	
Frame:	Glass fiber reinforced thermoplastic, rated UL94V-0(PT)
Impeller:	5 blades, glass fiber reinforced plastic, rated UL94V-0
Bearing:	Two ball bearings
Rotation:	CCW seen on rotor
Connection:	Wire lead or terminal flat pin connecting
Weight:	280 g (0.62 Lbs)
Electronical	
Dielectric Strength:	500 VAC/min. Max leakage 500mA
Speed Control:	Optional: PWM, S/C NTC thermister
Signal Output:	Optional: R/D alarm output, tachometer output
Environment	
Operating Temp:	Ambient non-condensing -15~ +65C
Storage Temp:	-25C~ +80C (at 65%RH)
Life Expectancy:	L10 65K hours at 45C, 50K hours at 65C

► Performance P-Q Curves



- Nomenclature
- R/D Alarm
- F/G Tach
- S/C Function
- PWM Function

▶ Outline Dimensions



Relevant products



Metal Fan Guard
 G109-15A, G109-15B,
 G109-17



Plastic Fan Guard
 G119P2, G119P4, G120P,
 G120P2, G120P25F,
 G120P4



Plastic Fan Filter
 GRM120-30, GRM120-45



Metal Fan Screen
 MF120S-30N



RoHS

SINWAN Email: info@sinwan.com.tw http://www.sinwan.com.tw