



92x92x38.5mm / 3.6x1.5inch

52~26 CFM

Axial Plastic Impeller

Model No	Rated Volt	Voltage Range	Freq	Input Power	Ref. Speed	Max. Airflow		Max. Static Pressure		Noise Level	PQ
	VAC	VAC	Hz	Watt	RPM	CFM	m3/min	Inch/H2O	mm	db(A)	
S938AP-11-1**	115	100~120	50/60	11/9	2650/3100	43/52	1.2/1.5	0.16/0.22	4.06/5.59	33	2/1
S938AP-11-2**	115	100~120	50/60	7/5	2400/2500	36/39	1/1.1	0.13/0.16	3.3/4.06	27	4/3
S938AP-11-3**	115	100~120	50/60	4/3	2200/1900	29/26	0.8/0.7	0.12/0.10	3.05/2.54	24	6/5
S938AP-22-1**	230	200~240	50/60	11/9	2650/3100	43/52	1.2/1.5	0.16/0.22	4.06/5.59	33	2/1
S938AP-22-2**	230	200~240	50/60	7/5	2400/2500	36/39	1/1.1	0.13/0.16	3.3/4.06	27	4/3
S938AP-22-3**	230	200~240	50/60	4/3	1700/1500	24/22	0.7/0.6	0.09/0.08	2.29/2.03	21	6/5
S938AP-4-1**	24	24~26	50/60	11/9	2600/3100	41/50	1.2/1.4	0.16/0.22	4.06/5.59	33	2/1
S938AP-8-1**	48	48~58	50/60	11/9	2600/3100	41/50	1.2/1.4	0.16/0.22	4.06/5.59	33	2/1
S938AP-11/22-1** dual voltage	115	100~120	50/60	11/9	2600/3100	41/50	1.2/1.4	0.16/0.22	4.06/5.59	33	2/1
	230	200~240									

- ** = "WB" for wire lead type Ball bearing, or "TB" for terminal type Ball bearing
- 100, 200, 240V or special voltages 12, 24, 28, 38, 42, 48, 380, 440, 480V... 50/60Hz, & any voltages available.
- Dual speed High/Medium 1/2, Medium/Low 2/3 available on request.
- Sinwan reserves the right to change data and improve electrical & mechanical design without notice, data tolerance +-10%

Motor

Motor Type: Shaded pole induction, inner rotor, 1-phase
 Burnout Protection: Impedance protected
 IP Protection: -

Mechanical

Frame: Aluminum die cast, black color(AP)
 Impeller: 5 blades, glass fiber reinforced plastic, rated UL94V-0
 Bearing: Two ball bearings. or sleeve bearing
 Rotation: CCW seen on rotor
 Connection: Wire lead or terminal flat pin connecting
 Weight: 430 g (0.99 Lbs)

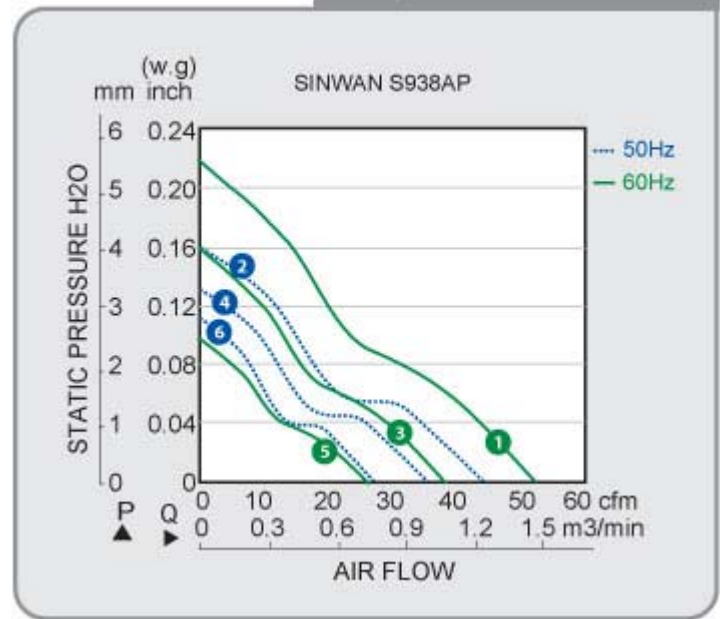
Electrical

Dielectric Strength: Over 1 min.at 1,500 VAC, 0.5mA, 50/60 Hz
 Insulation Resistance: Over 100 MΩ at DC 500V
 Signal Output:

Environment

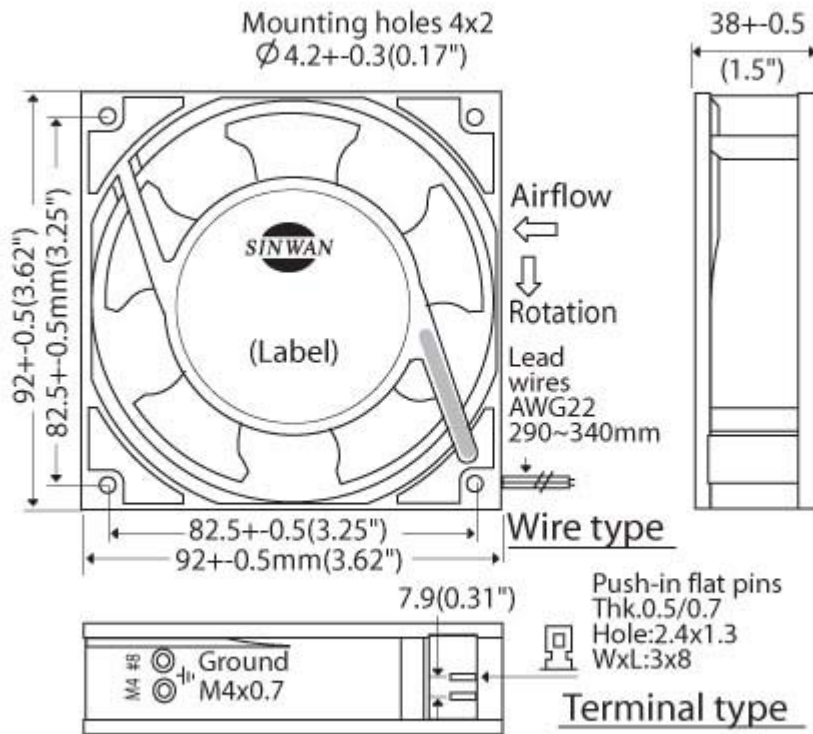
Operating Temp: Non-condensing ball bearing (-20C~+70C), sleeve (-10~+40C)
 Storage Temp: -40C~+100C (at 65%RH)
 Life Expectancy: Ball bearing 90K hours at 45C, 50K hours at 60C

► Performance P-Q Curves



- Nomenclature
- Dual Voltage
- Multiple Speed

▶ Outline Dimensions



Relevant products



Metal Fan Guard
 G92-13, G92-16



Plastic Fan Guard
 G92P, G92P2, G92P25F,
 G92P4



Plastic Fan Filter
 GRM92-30, GRM92-45



Metal Fan Screen
 MF92S-30N

