



• AC • S80AP



# 80x80x38mm / 3x1.5inch

## 31~17 CFM

Axial Plastic Impeller

Model No	Rated Volt	Voltage Range	Freq	Input Power	Ref. Speed	Max.Airflow		Max.Static Pressure		Noise Level	PQ
	VAC	VAC	Hz	Watt	RPM	CFM	m3/min	Inch/H2O	mm	db(A)	
S80AP-11-1**	115	100~120	50/60	14/12	2700/3250	26/31	0.7/0.9	0.16/0.22	4.06/5.59	29	2/1
S80AP-11-2**	115	100~120	50/60	11/9	2300/2550	22/24	0.6/0.7	0.13/0.17	3.3/4.32	22	4/3
S80AP-11-3**	115	100~120	50/60	7/5	1800/1700	18/17	0.5/0.5	0.12/0.10	3.05/2.54	18	6/5
S80AP-22-1**	230	200~240	50/60	14/12	2700/3250	26/31	0.7/0.9	0.16/0.22	4.06/5.59	29	2/1
S80AP-22-2**	230	200~240	50/60	11/9	2300/2550	22/24	0.6/0.7	0.13/0.17	3.3/4.32	22	4/3
S80AP-22-3**	230	200~240	50/60	7/5	1800/1700	18/17	0.5/0.5	0.12/0.10	3.05/2.54	18	6/5
S80AP-11/22-1**	115	100~120	50/60	14/12	2700/3250	26/31	0.7/0.9	0.16/0.22	4.06/5.59	29	2/1
dual voltage	230	200~240									
S80AP-11/22-2**	115	100~120	50/60	11/9	2300/2550	22/24	0.6/0.7	0.13/0.17	3.3/4.32	22	4/3
dual voltage	230	200~240									

- \*\* = "WB" for wire lead type Ball bearing, or "TB" for terminal type Ball bearing
- 100, 200, 240V or special voltages 12, 24, 28, 38, 42, 48, 380, 440, 480V... 50/60Hz, & any voltages available.
- Dual speed High/Medium 1/2, Medium/Low 2/3 available on request.
- Sinwan reserves the right to change data and improve electrical & mechanical design without notice, data tolerance +-10%

### Motor

Motor Type:	Shaded pole induction, inner rotor, 1-phase
Burnout Protection:	Impedance protected
IP Protection:	-

### Mechanical

Frame:	Aluminum die cast, black color(AP)
Impeller:	7 blades, glass fiber reinforced plastic, rated UL94V-0
Bearing:	Two ball bearings. or sleeve bearing
Rotation:	CCW seen on rotor
Connection:	Wire lead or terminal flat pin connecting
Weight:	400 g (0.82 Lbs)

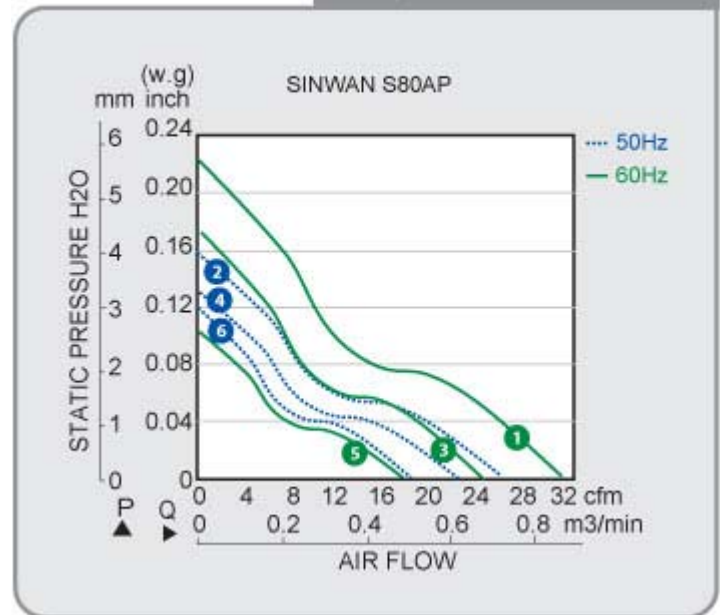
### Electrical

Dielectric Strength:	Over 1 min. at 1,500 VAC, 0.5mA, 50/60 Hz
Insulation Resistance:	Over 100 MΩ at DC 500V
Signal Output:	

### Environment

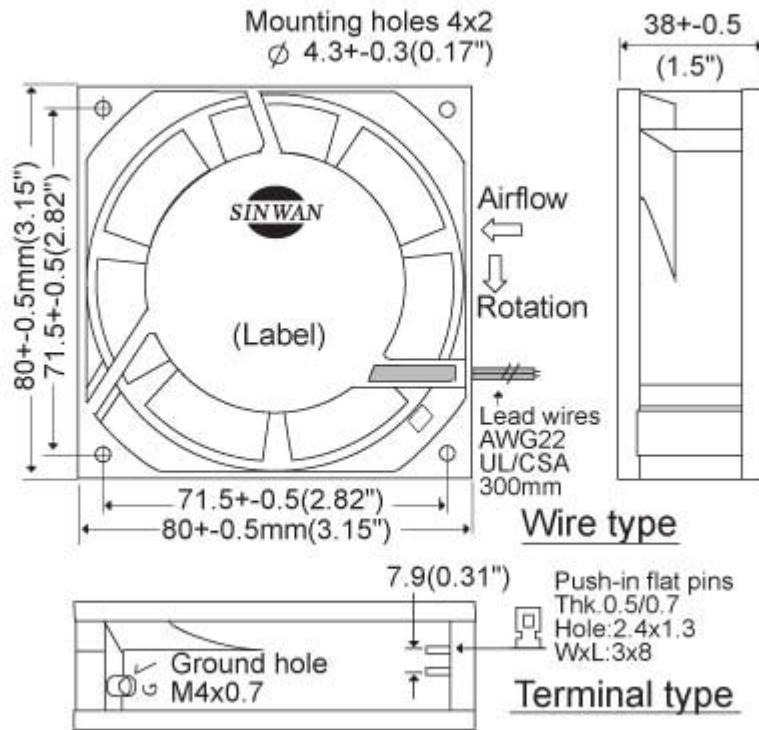
Operating Temp:	Non-condensing ball bearing (-20C~+70C), sleeve (-10~+40C)
Storage Temp:	-40C~+100C (at 65%RH)
Life Expectancy:	Ball bearing 80K hours at 45C, 50K hours at 60C

### ► Performance P-Q Curves



- Nomenclature
- Dual Voltage
- Multiple Speed

▶ Outline Dimensions



Relevant products



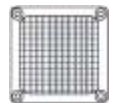
Metal Fan Guard  
 G80-18



Plastic Fan Guard  
 G80P, G80P2, G80P2A,  
 G80P4



Plastic Fan Filter  
 GRM80-30, GRM80-45



Metal Fan Screen  
 MF80S-30N

