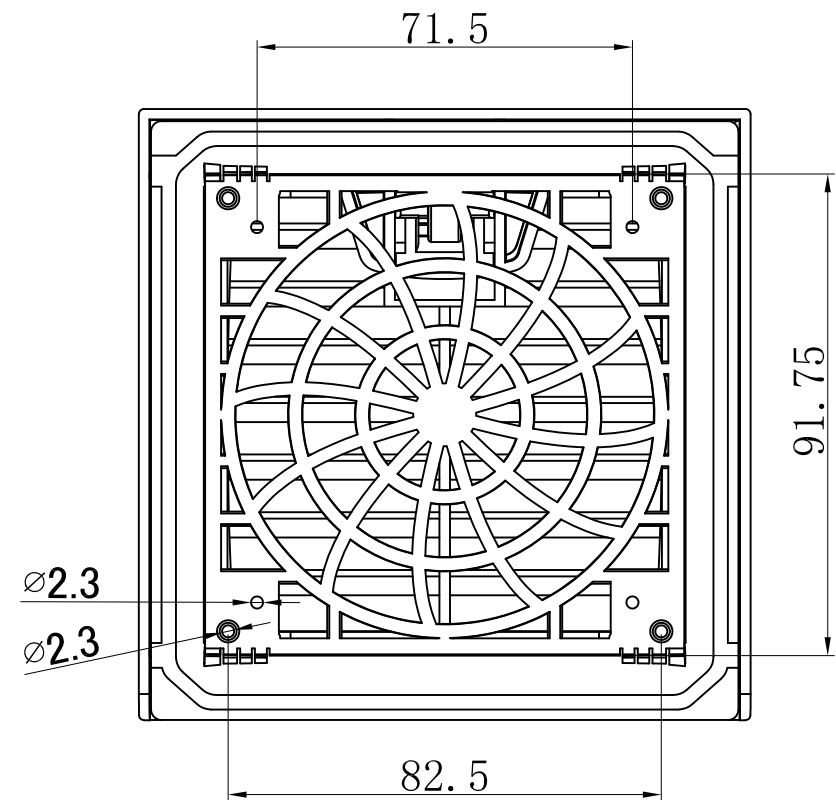
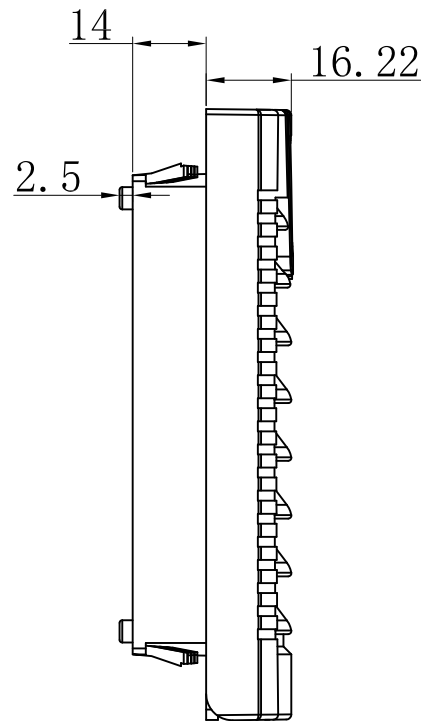
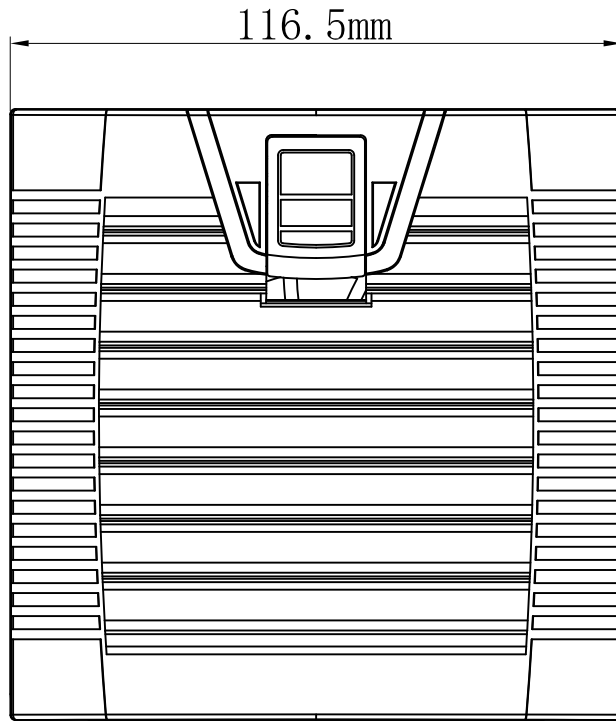


| Revision | | | |
|----------|-------------|----------|----------|
| Rev. | Description | Date | Approved |
| A-1 | | 2018/5/4 | R/D |



Specifications:

- Frame: Retainer (R) & Grill (G), Made of thermoplastic ABS resin.
Filter Media (F): Synthetic Filber.
- General tolerance unless noted is $\pm 0.5\text{mm}$. Weight: g.



Sinwan Electric Industries Co., Ltd.

Part Number:

RFG8092A

Description:

(Louvered ventilator Filter Kits For
80/92mm (3.1/3.6") Fans)