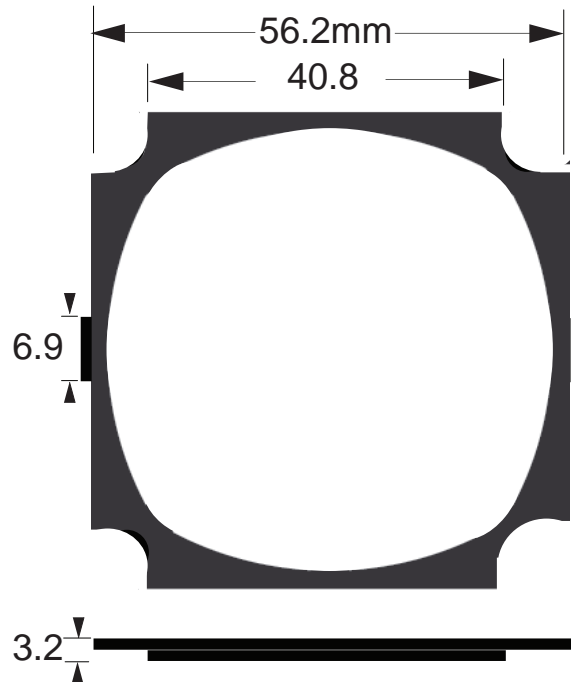
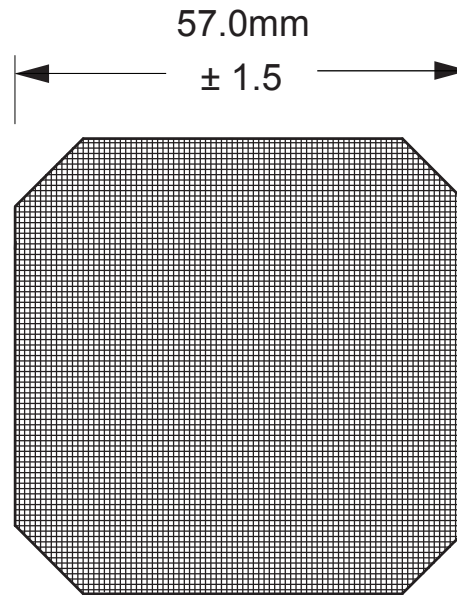


Revision			
Rev.	Description	Date	Approved
A-1		2018/5/9	RD

Retainer "R" / R60PS

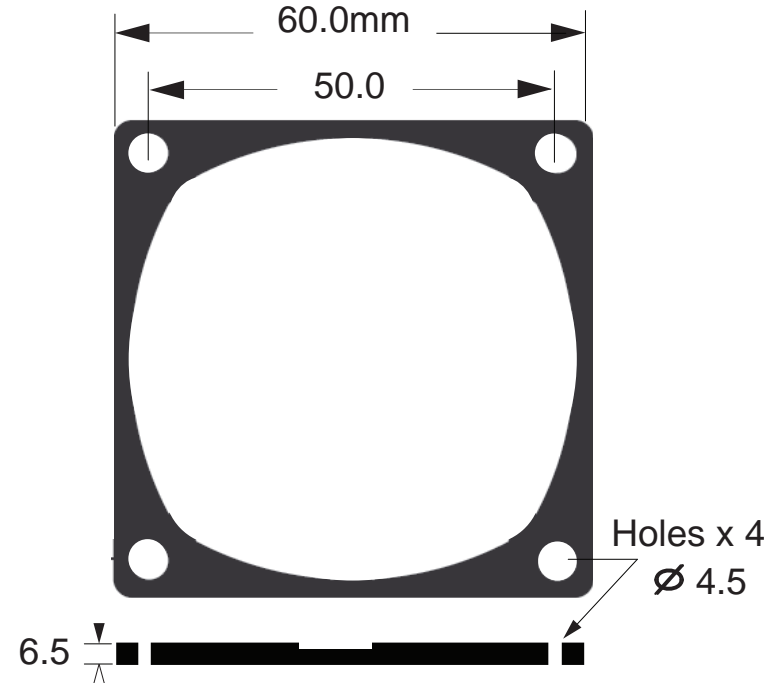


Media "S" / S60-30




Media filtering holes (PPI)  
**30 PPI** (30 holes per sq. inch)  
 \*PPI = Porous Per Inch  
 Each wire diameter is 0.3mm.

Guard "G" / G60PS



### Specification / Material:

- General tolerance unless noted is  $\pm 0.3\text{mm}$
- Plastic guard "G" & Retainer "R" made of plastic ABS764 glass reinforced flammability rated UL94V-0  
Media "S" is made of Stainless steel wire (304), tightly woven corrugated. Mesh 30x30 holes.
- Color: black / Weight:

 Sinwan Electric Industries Co., Ltd.	
<b>Part Number:</b>	<b>GRS60-30B</b>
<b>Description:</b>	( Plastic Stainless Filter Kits For 60mm (2.36") Fans )