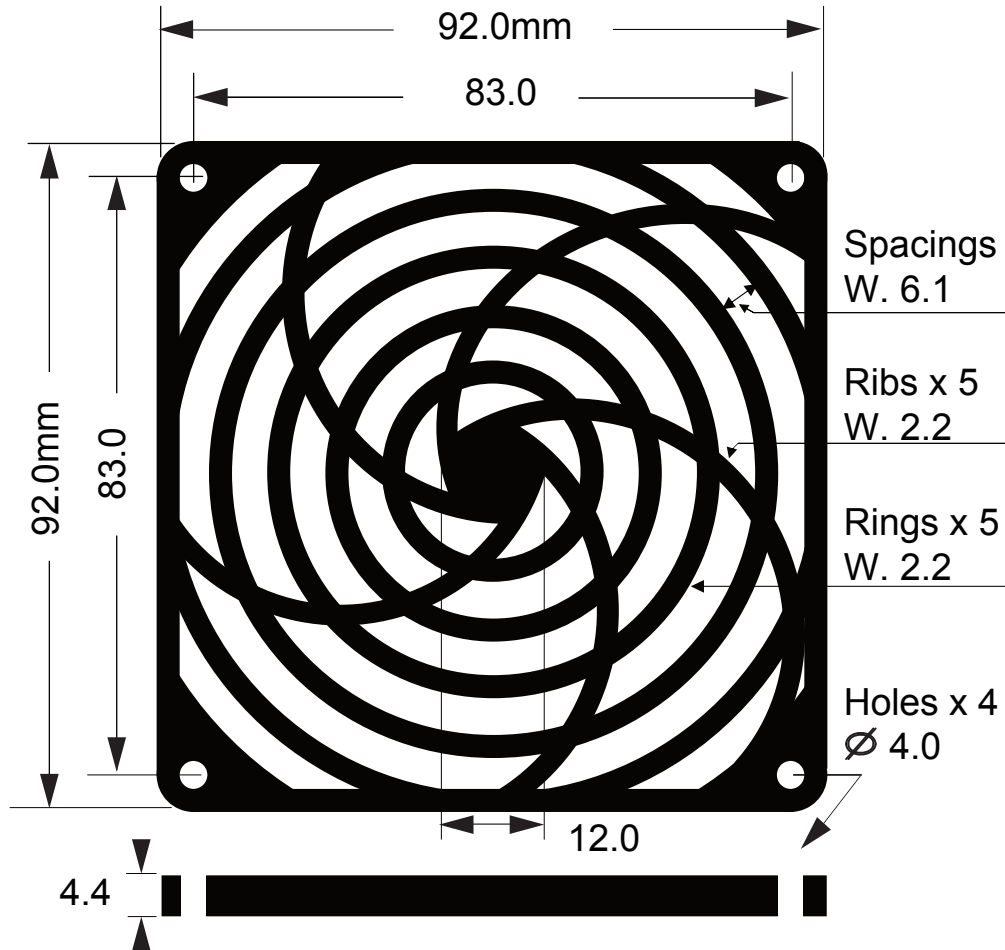


| Revision |             |          |          |
|----------|-------------|----------|----------|
| Rev.     | Description | Date     | Approved |
| A-2      |             | 2015/2/5 | RD       |



### Specifications:

1. General tolerance unless noted is  $\pm 0.3\text{mm}$
2. Hole to Hole: 83.0mm
3. Spacings: 6.1mm
4. Holes dia.: 4.0mm
5. Rings width: 2.2mm
6. Ribs width: 2.2mm
7. Height: 4.4mm
8. Staging rings: 5 rings

### Material:

- Reinforced plastic ABS, UL94V-0
- Color: standard black  
(Other colors are available, MOQ is required)
- Weight: 11.3Gm

### Mates with:

- AC: S92AP, S938AP
- DC: SD9225PT series cooling fan

 Sinwan Electric Industries Co., Ltd.

Part Number: **G92P4** (thru hole)

Description:  
Plastic Fan Guard For 92mm (3.62") Fan