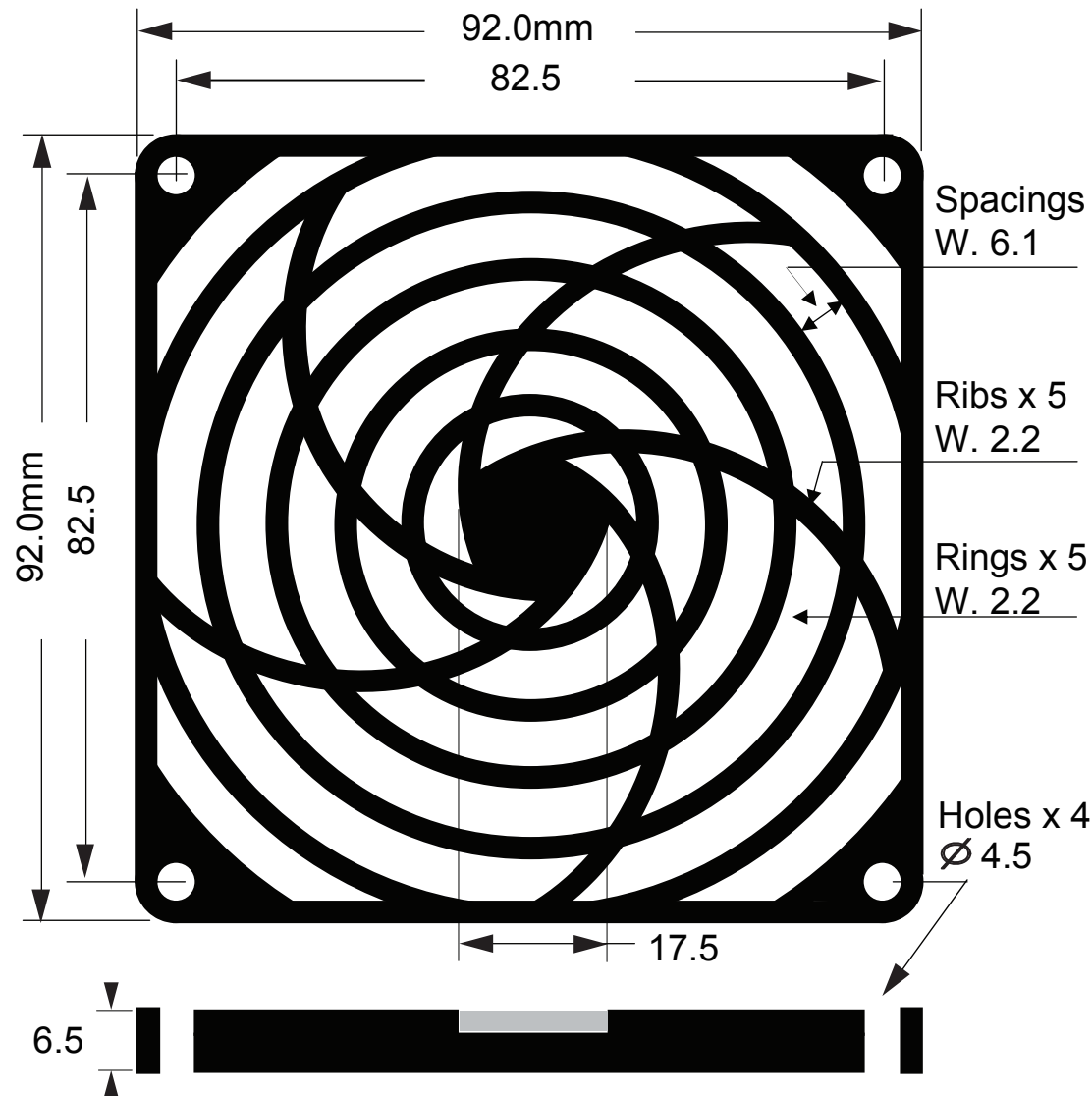


Revision			
Rev.	Description	Date	Approved
A-2		2015/2/5	RD



### Specifications:

1. General tolerance unless noted is  $\pm 0.3\text{mm}$
2. Hole to Hole: 82.5mm
3. Spacings: 6.1mm
4. Holes dia.: 4.5mm
5. Rings width: 2.2mm
6. Ribs width: 2.2mm
7. Height: 6.5mm
8. Staging rings: 5 rings

### Material:

- Reinforced plastic ABS, UL94V-0
- Color: standard black  
(Other colors are available, MOQ is required)
- Weight: 13.0Gm

### Mates with:

- AC: S92AP, S938AP
- DC: SD9225PT series cooling fan



Sinwan Electric Industries Co., Ltd.

Part Number:

**G92P** (thru hole, Raised)

Description:

Plastic Fan Guard For 92mm (3.62") Fan