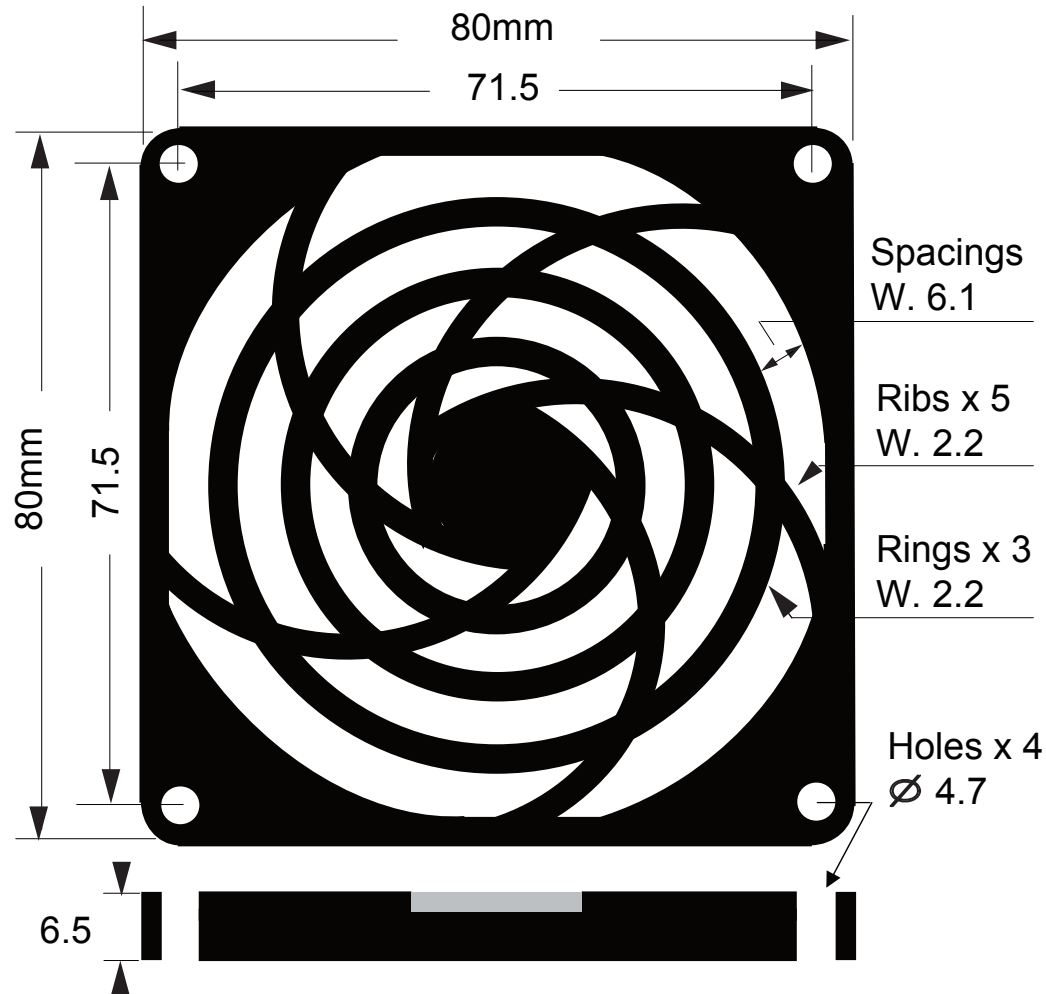


Revision			
Rev.	Description	Date	Approved
A-2		2015/2/5	RD



Specifications:

1. General tolerance unless noted is $\pm 0.3\text{mm}$
2. Hole to Hole: 71.5mm
3. Spacings: 6.1mm
4. Holes dia.: 4.7mm
5. Rings width: 2.2mm
6. Ribs width: 2.2mm
7. Height: 6.5mm
8. Staging rings: 3 rings

Material:

- Reinforced plastic ABS, UL94V-0
- Color: standard black
(Other colors are available, MOQ is required)
- Weight: 9.2Gm

Mates with:

- AC: S80AP, S825AP, M80AP
- DC: SD8015PT, SD8020PT, SD8025PT,
series cooling fan

 Sinwan Electric Industries Co., Ltd.

Part Number: **G80P** (thru hole, Raised)

Description:
Plastic Fan Guard For 80mm (3.15 ") Fan