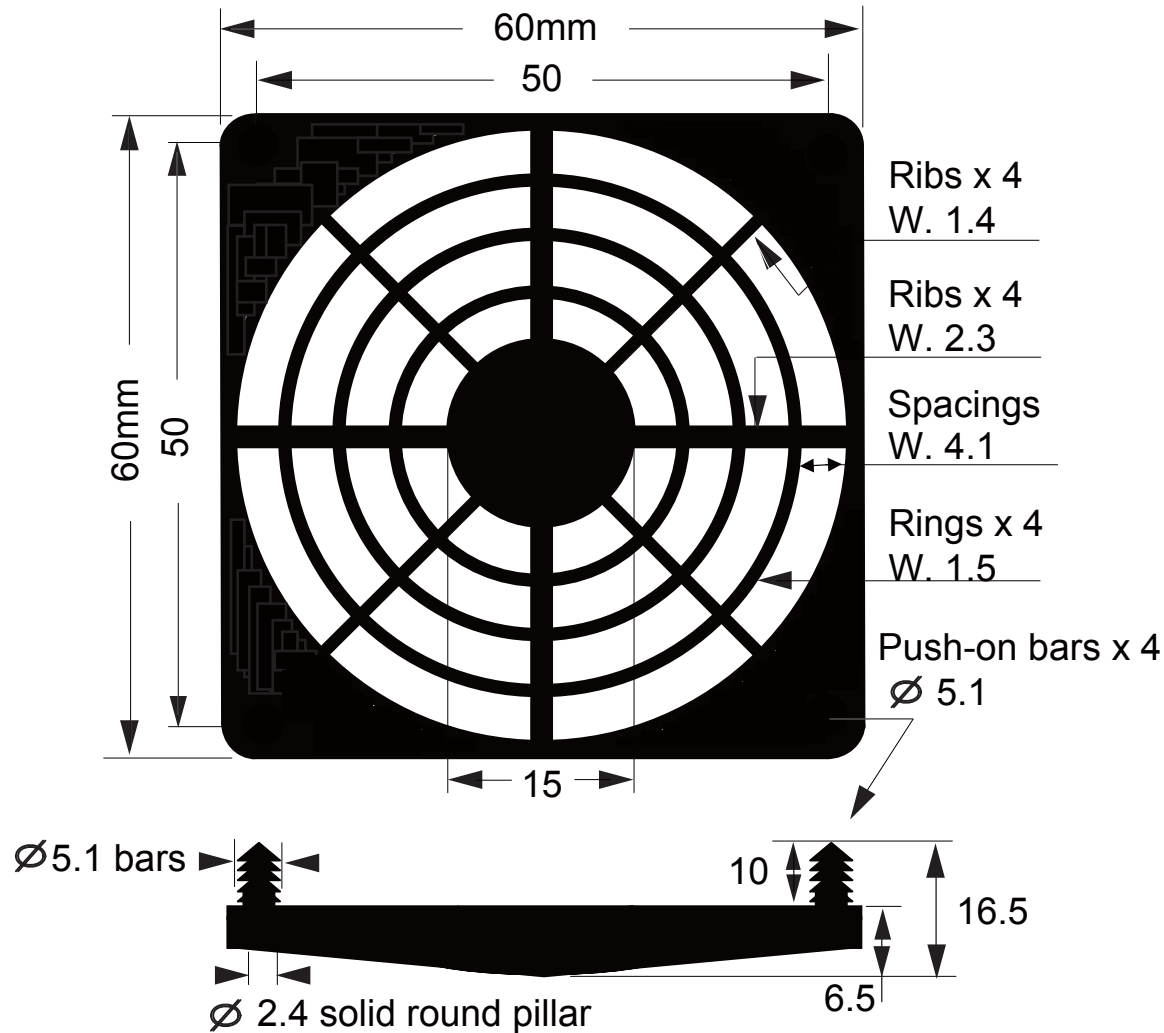


Revision			
Rev.	Description	Date	Approved
A-4		2017/5/25	RD



Specifications:

1. General tolerance unless noted is $\pm 0.3\text{mm}$
2. Bar to Bar: 50.0mm
3. Spacings: 4.1mm
4. Bars dia.: 5.1mm
5. Rings width: 1.5mm
6. Ribs width: 1.4mm / 2.3mm
7. Height: 6.5mm
8. Staging rings: 3 rings

Material:

- Reinforced thermoplastic Nylon UL94 HB
- Color: standard black
(Other colors are available, MOQ is required)
- Weight: 7.0Gm

Mates with:

- DC: SD6010PT, SD6015PT, SD6020PT, SD6025PT series cooling fan

 Sinwan Electric Industries Co., Ltd.

Part Number: **G60P2** (push-on)

Description:
Plastic Fan Guard For 60mm (2.36 ") Fan