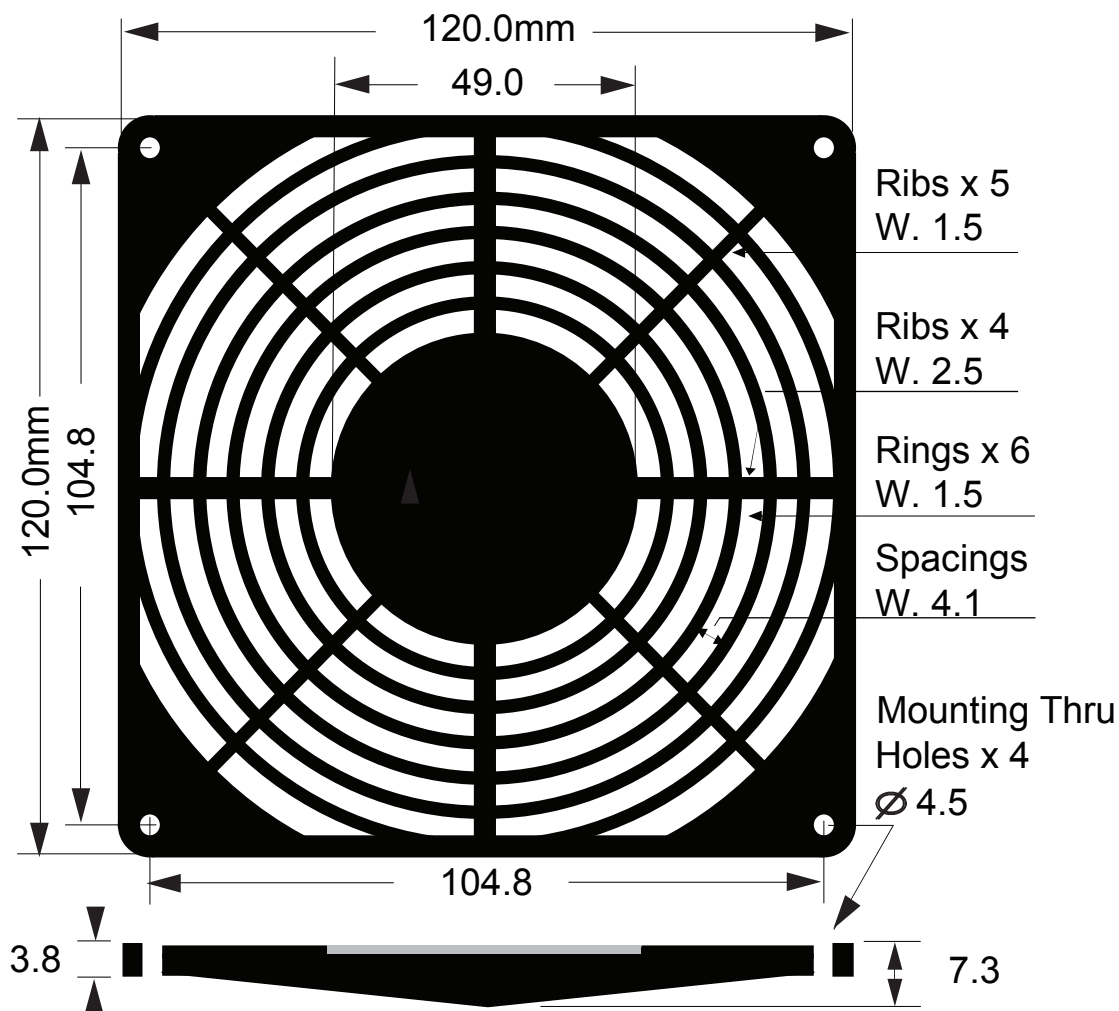


Revision			
Rev.	Description	Date	Approved
A-2		2015/2/5	RD



Specifications:

1. General tolerance unless noted is $\pm 0.3\text{mm}$
2. Hole to Hole: 104.8mm
3. Spacings: 4.1mm
4. Holes dia.: 4.5mm
5. Rings width: 1.5mm
6. Ribs width: 1.5mm / 2.5mm
7. Height: 3.8mm
8. Staging rings: 6 rings

Material:

- Reinforced plastic ABS, UL94V-0
- Color: standard black
(Other colors are available, MOQ is required)
- Weight: 21.0Gm

Mates with:

- AC: S125, S109, S119, M109
- DC: SD1225, SD1232, SD1238 series cooling fan

 Sinwan Electric Industries Co., Ltd.

Part Number: **G119P4** (thru hole)

Description:
Plastic Fan Guard For 120mm (4.7 ") Fan