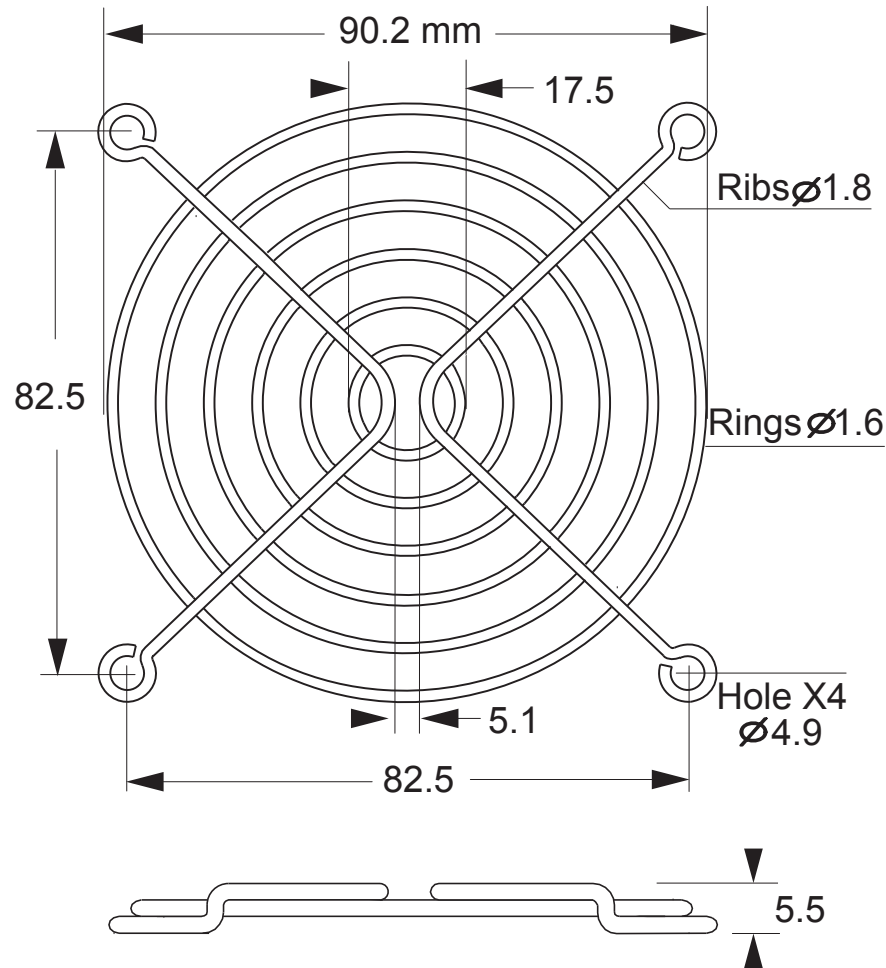


Revision			
Rev.	Description	Date	Approved
A-2		2014/9/10	RD



#### Specifications:

1. General tolerance unless noted is  $\pm 0.5\text{mm}$
2. Hole to Hole:  $82.5\text{mm} \pm 0.5\text{mm}$
3. Holes dia.:  $4.9\text{mm} \pm 0.2\text{mm}$
4. Outer ring dia.:  $90.2\text{mm} \pm 0.5\text{mm}$
5. Ring dia.:  $1.6\text{mm} \pm 0.1\text{mm}$
6. Rib dia.:  $1.8\text{mm} \pm 0.1\text{mm}$
7. Height.:  $5.5\text{mm} \pm 0.2\text{mm}$
8. Stagger welds: 6 rings

#### Material:

- Rings & Ribs Steel wire BLI-195(C1008)
- Surface Treating  
Nickled-chrome electro plating surface, bright color  
(Black color & other platings are available on request)
- Comply with the limits as set by RoHS / SVHC
- Weld Joins Contact Strength  
Spot welding Points to withstand min. 220lbs(100Kgs.)
- Weight: 21.5Gm

#### Mates with:

- SD9225PT, SD938, S92AP, S938AP, M938AP series cooling fan

 **Sinwan Electric Industries Co., Ltd.**

Part Number:

**G92-16**

Description:

Metal Fan Guard For 92mm (3.62") Fan