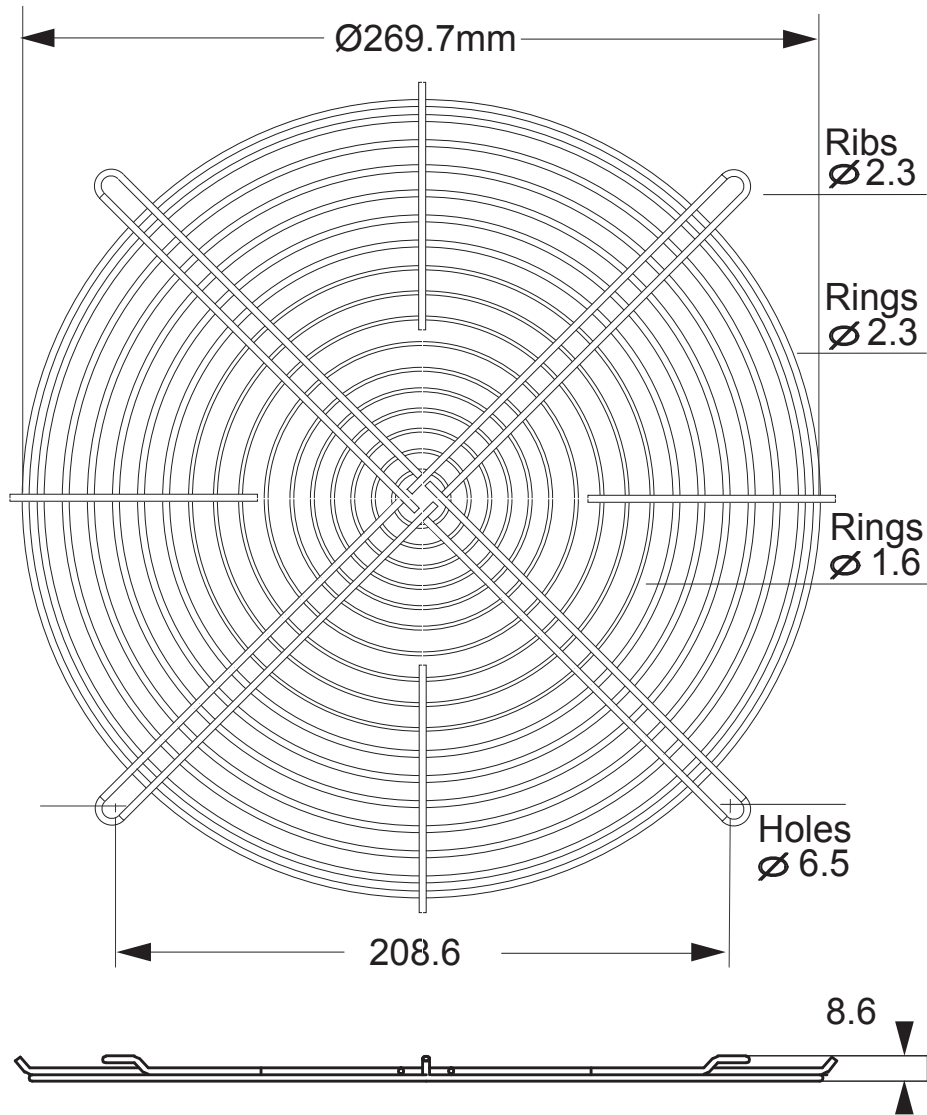


Revision			
Rev.	Description	Date	Approved
A-3		2016/1/21	RD



Specifications:


1. General tolerance unless noted is $\pm 0.5\text{mm}$
2. Hole to Hole: $208.6\text{mm} \pm 0.5\text{mm}$
3. Holes dia.: $\text{Ø}6.5\text{mm} \pm 0.2\text{mm}$
4. Outer ring dia.: $\text{Ø}269.7\text{mm} \pm 0.5\text{mm}$
5. Ring dia.: $\text{Ø}2.3\text{mm}(7)/\text{Ø}1.6\text{mm}(10) \pm 0.1\text{mm}$
6. Rib dia.: $\text{Ø}2.3\text{mm} \pm 0.1\text{mm}$
7. Height: $8.6\text{mm} \pm 1.0\text{mm}$
8. Stagger welds: 17 rings

Material:

- Rings & Ribs Steel wire BLI-195(C1008)
- Surface Treating
Nickled-chrome electro plating surface, bright color (Black color & other platings are available on request)
- Comply with the limits as set by RoHS / SVHC
- Weld Joins Contact Strength
Spot welding Points to withstand min. 88lbs(40Kgs.)
- Weight: 250.0Gm

Mates with:

- S280RAN, SD280RAN series cooling fan

	Sinwan Electric Industries Co., Ltd.
	Part Number: G280-17U
	Description: Metal Fan Guard For 280mm (11") Fan