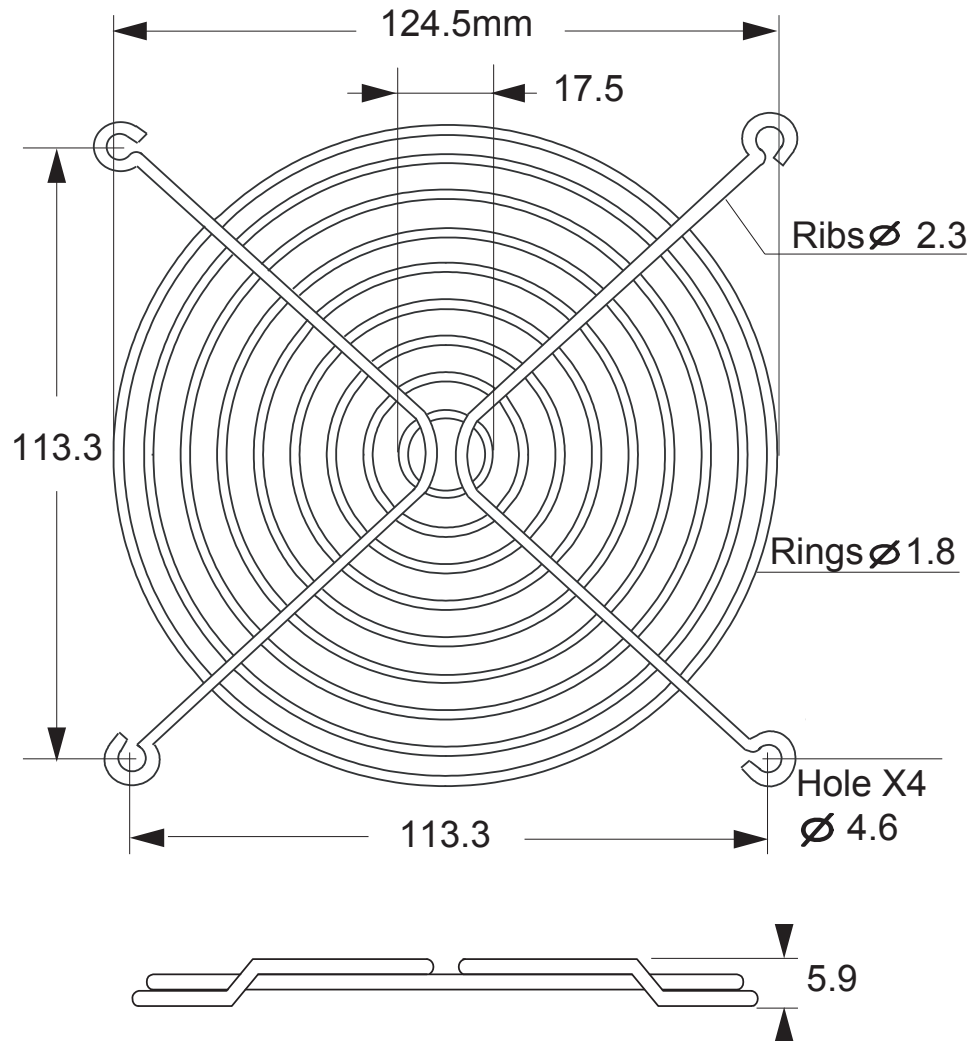


Revision			
Rev.	Description	Date	Approved
A-2		2015/1/23	RD



Specifications:

1. General tolerance unless noted is $\pm 0.5\text{mm}$
2. Hole to Hole: $113.3\text{mm} \pm 0.5\text{mm}$
3. Holes dia.: $4.6\text{mm} \pm 0.2\text{mm}$
4. Outer ring dia.: $124.5\text{mm} \pm 0.5\text{mm}$
5. Ring dia.: $1.8\text{mm} \pm 0.1\text{mm}$
6. Rib dia.: $2.3\text{mm} \pm 0.1\text{mm}$
7. Height.: $5.9\text{mm} \pm 0.2\text{mm}$
8. Stagger welds: 9 rings

Material:

- Rings & Ribs Steel wire BLI-195(C1008)
- Surface Treating
Nickled-chrome electro plating surface, bright color
(Black color & other platings are available on request)
- Comply with the limits as set by RoHS / SVHC
- Weld Joins Contact Strength
Spot welding Points to withstand min. 220lbs(100Kgs.)
- Weight: 51.8Gm

Mates with:

- SD127AP, S127AP series cooling fan

 **Sinwan Electric Industries Co., Ltd.**

Part Number:

G127-8

Description:

Metal Fan Guard For 127mm (5") Fan