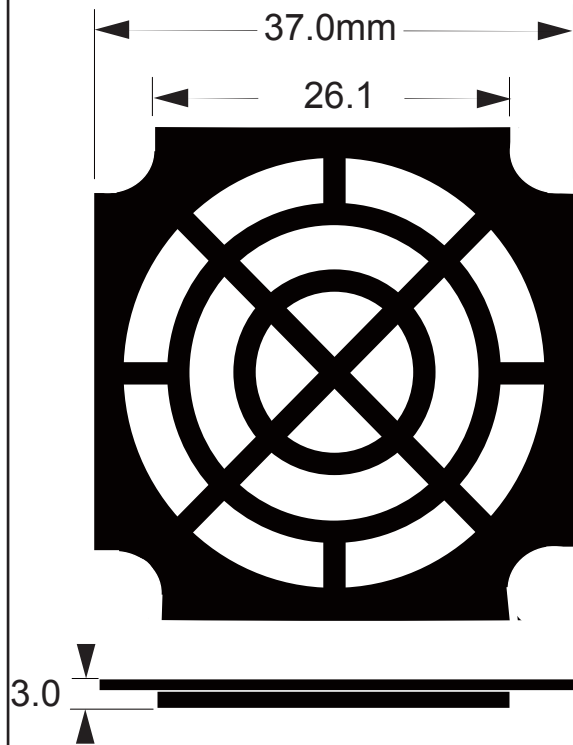
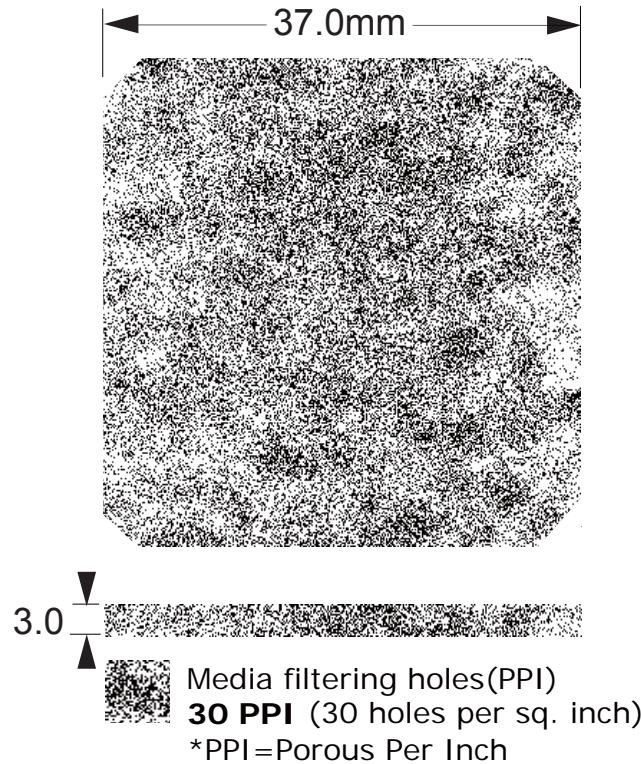


Revision			
Rev.	Description	Date	Approved
A-3		2016/6/21	RD

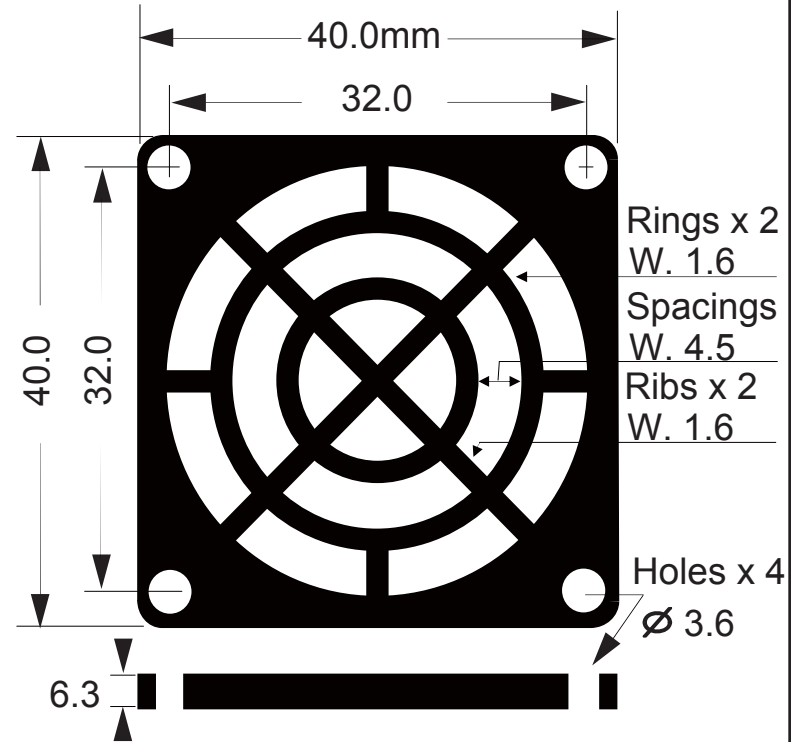
Retainer "R" / R40P



Media "M" / M40-30



Guard "G" / G40P



### Specification / Material:

- General tolerance unless noted is  $\pm 0.3\text{mm}$
- Plastic guard "G" & Retainer "R" made of plastic ABS764 glass reinforced flammability rated UL94V-0
- Media "M" is made of PU form (UL Option)
- Color: black / Filtering holes: 30PPI / Weight: 4.5Gm



Sinwan Electric Industries Co., Ltd.

Part Number:

**GRM40-30**

Description:

( Plastic Fan Filter Kits For 40mm (1.57") Fans )