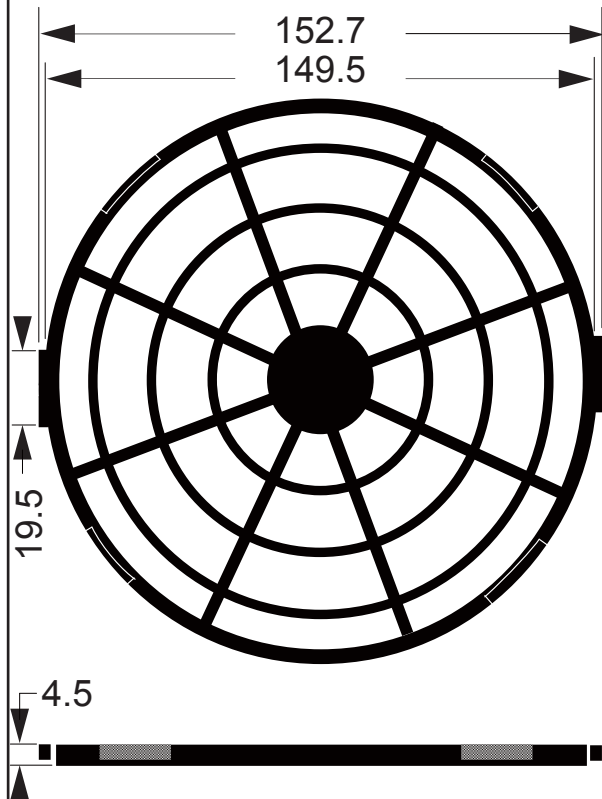
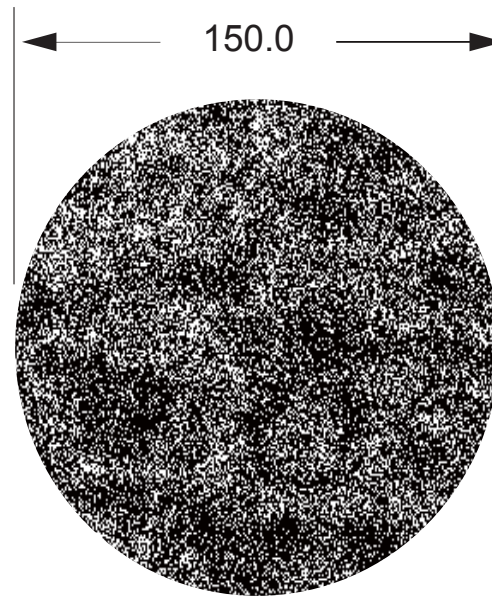



Revision			
Rev.	Description	Date	Approved
A-3		2016/6/21	RD

Retainer "R" / R172P

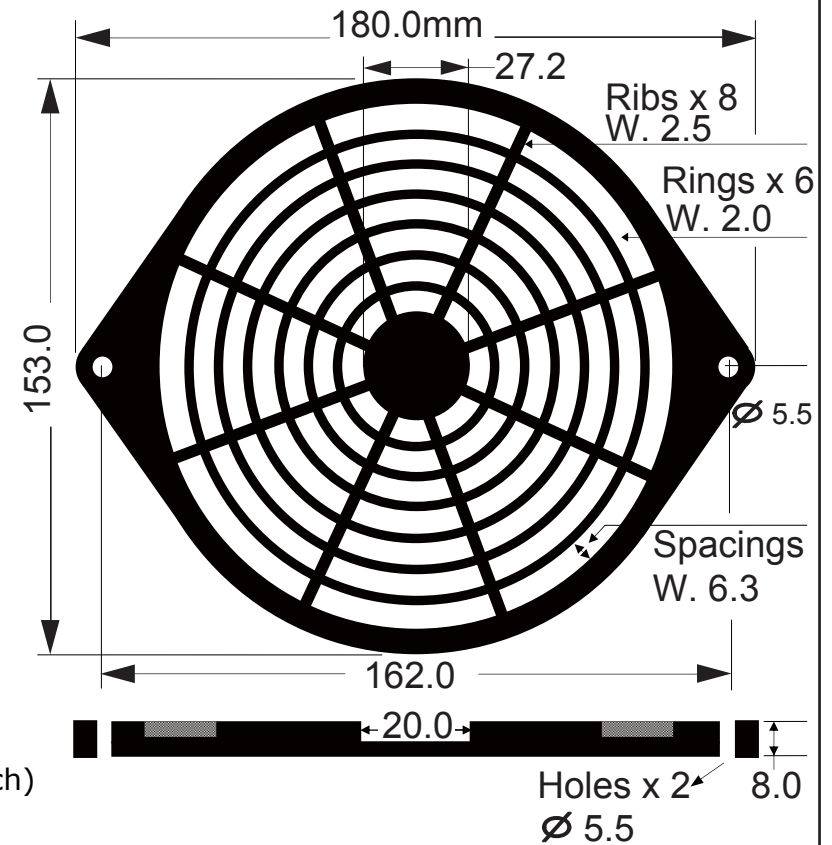


Media "M" / M172-45



3.0  
  
 Media filtering holes(PPI)  
**45 PPI** (45 holes per sq. inch)  
 \*PPI=Porous Per Inch

Guard "G" / G172P



### Specification / Material:

- General tolerance unless noted is  $\pm 0.3\text{mm}$
- Plastic guard "G" & Retainer "R" made of plastic ABS764 glass reinforced flammability rated UL94V-0
- Media "M" is made of PU form (UL Option)
- Color: black / Filtering holes: 45PPI / Weight: 69.0Gm



Sinwan Electric Industries Co., Ltd.

Part Number:

**GRM172-45**

Description:

( Plastic Fan Filter Kits For 172mm (6") Fans )