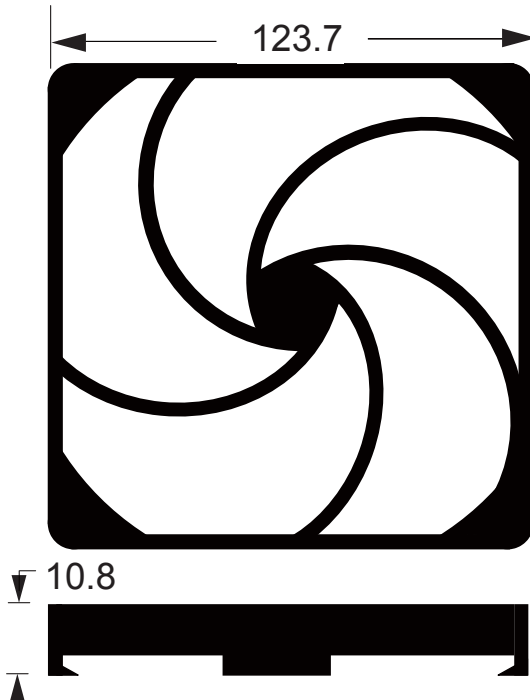
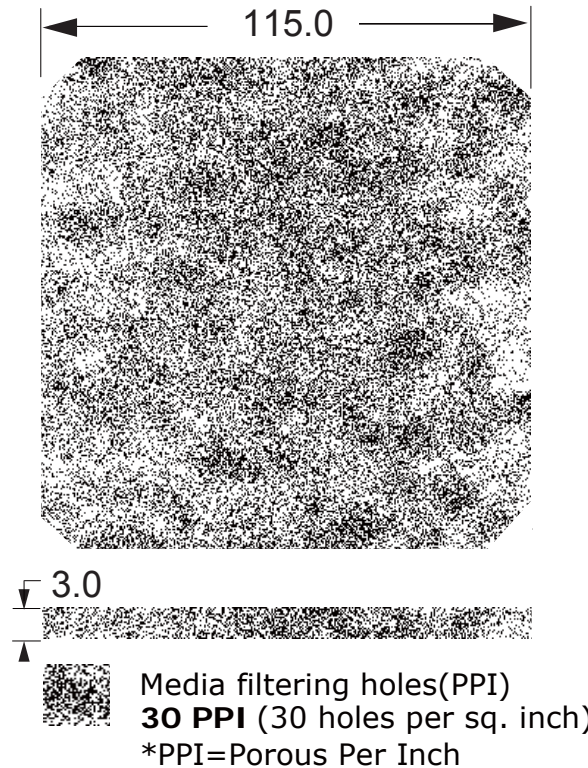


| Revision | | | |
|----------|-------------|-----------|----------|
| Rev. | Description | Date | Approved |
| A-3 | | 2016/6/21 | RD |

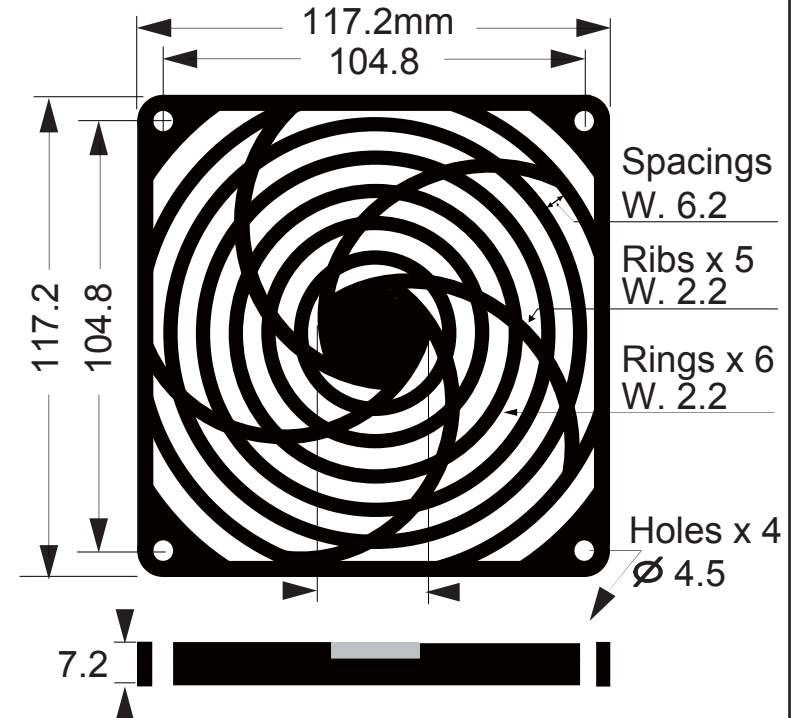
Retainer "R" / R120P



Media "M" / M120-30




Guard "G" / G120P



Specification / Material:

- General tolerance unless noted is $\pm 0.3\text{mm}$
- Plastic guard "G" & Retainer "R" made of plastic ABS764 glass reinforced flammability rated UL94V-0
- Media "M" is made of PU form (UL Option)
- Color: black / Filtering holes: 30PPI / Weight: 48.3Gm

| | |
|--|---|
|  Sinwan Electric Industries Co., Ltd. | |
| Part Number: | GRM120-30 |
| Description: | (Plastic Fan Filter Kits For 120mm (4.7") Fans) |