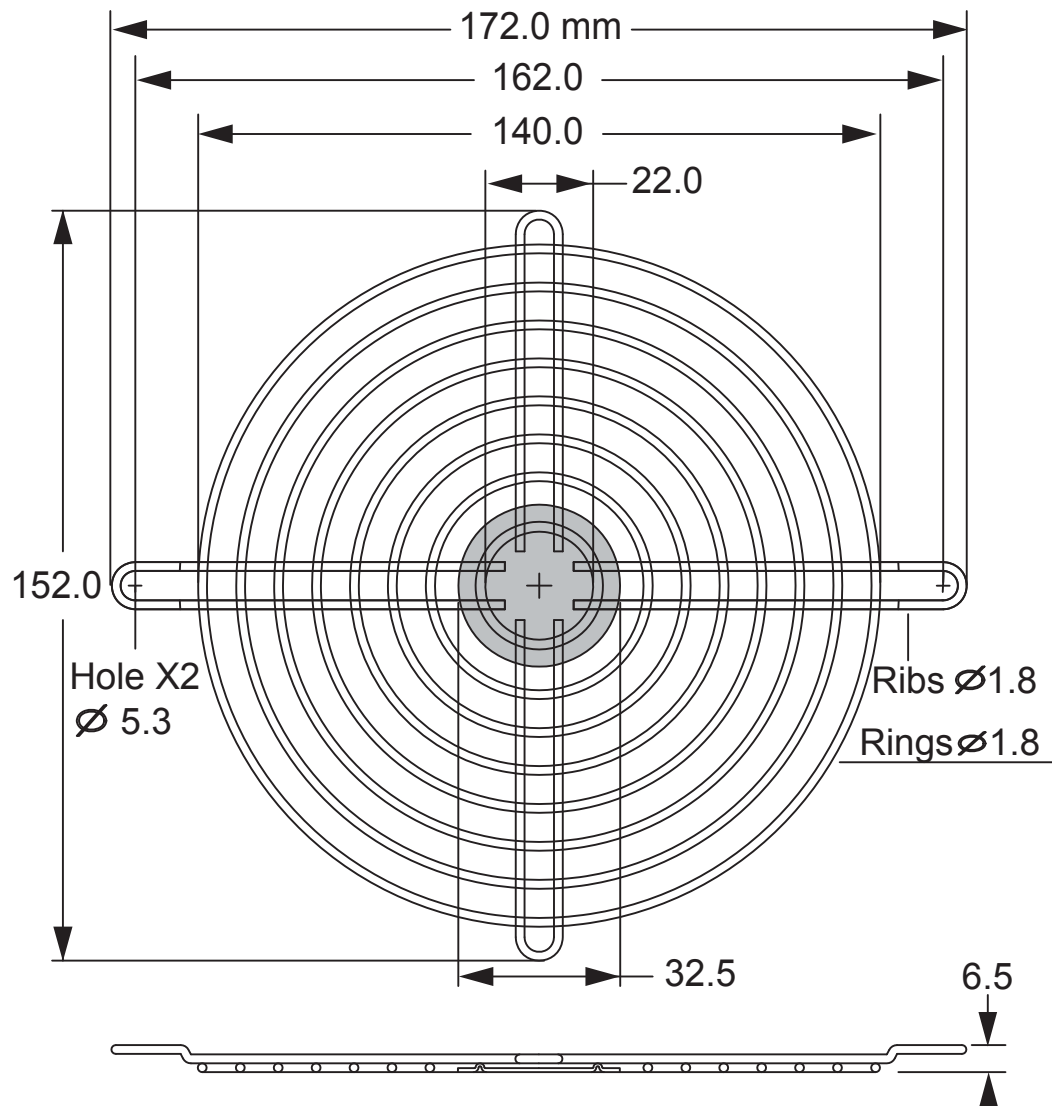


Revision

Rev.	Description	Date	Approved
A-2		2014/11/18	RD

**Specifications:**

1. General tolerance unless noted is $\pm 0.5\text{mm}$
2. Hole to Hole: $162.0\text{mm} \pm 0.5\text{mm}$
3. Holes dia.: $5.3\text{mm} \pm 0.2\text{mm}$
4. Outer ring dia.: $140.0\text{mm} \pm 0.5\text{mm}$
5. Ring dia.: $1.8\text{mm} \pm 0.1\text{mm}$
6. Rib dia.: $1.8\text{mm} \pm 0.1\text{mm}$
7. Height: $6.5\text{mm} \pm 0.2\text{mm}$
8. Stagger welds: 7 rings

Material:

- Rings & Ribs Steel wire BLI-195(C1008)
- Surface Treating
Nickled-chrome electro plating surface, bright color
(Black color & other platings are available on request)
- Comply with the limits as set by RoHS / SVHC
- Weld Joins Contact Strength
Spot welding Points to withstand min. 220lbs(100Kgs.)
- Weight: 56.8Gm

Mates with:

- SD173AP, SD175SAP, SD175EAP, SD175RAP, S150AP
S162SAP, S162EAP S172SAP, S172EAP, M172SAP,
M172EAP, MD175SAP, MD175EAP series cooling fan



Sinwan Electric Industries Co., Ltd.

Part Number:

G172-7DU

Description:

Metal Fan Guard For 172mm (6") Fan