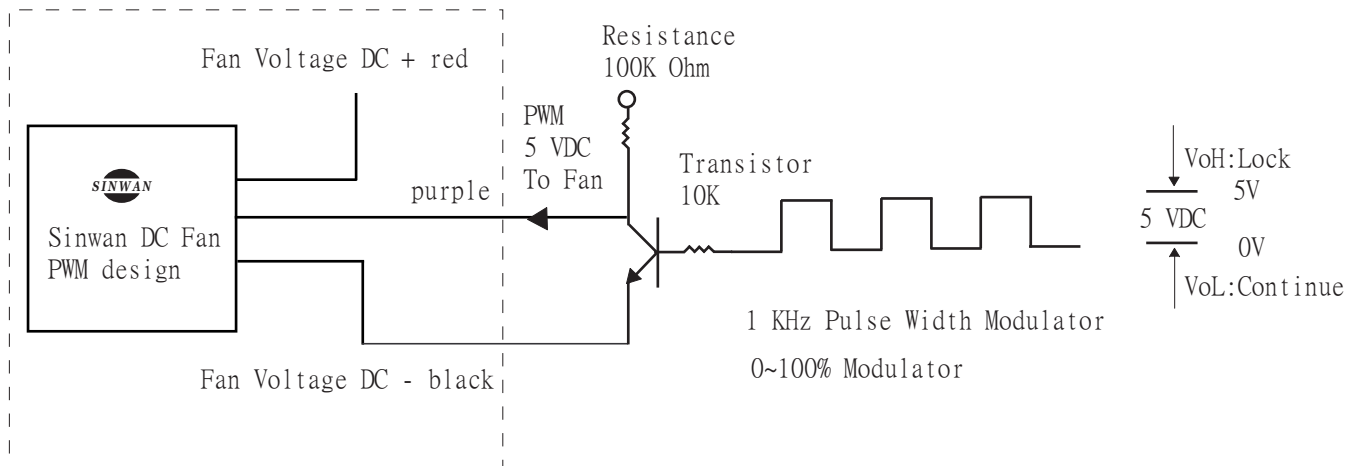
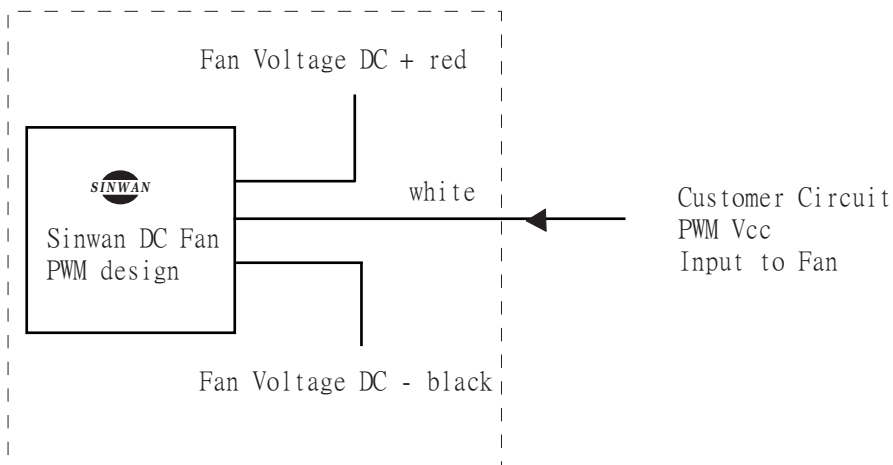


Sinwan DC Fan, SD173,SD175,SD180F,SD908,SD254,SD254R PWM Speed Control

- * PWM Frequency: 1 KHz
- * PWM, Pulse Width Modulation Range: stop~full speed, 10 stages.



Sinwan DC Fan from 25mm~120mm, PWM Speed Control,



Sinwan Fan Motors Engineering Service:

Address: 8F, No.18, Lane 270, Sec.3, Pei Shen Rd., Shenkeng, Taipei, Taiwan 222

Phone:(886-2) 2662-0728

Fax:(886-2)2662-7019

Web:www.sinwan.com.tw

Email:sinwanfan@sinwan.com.tw