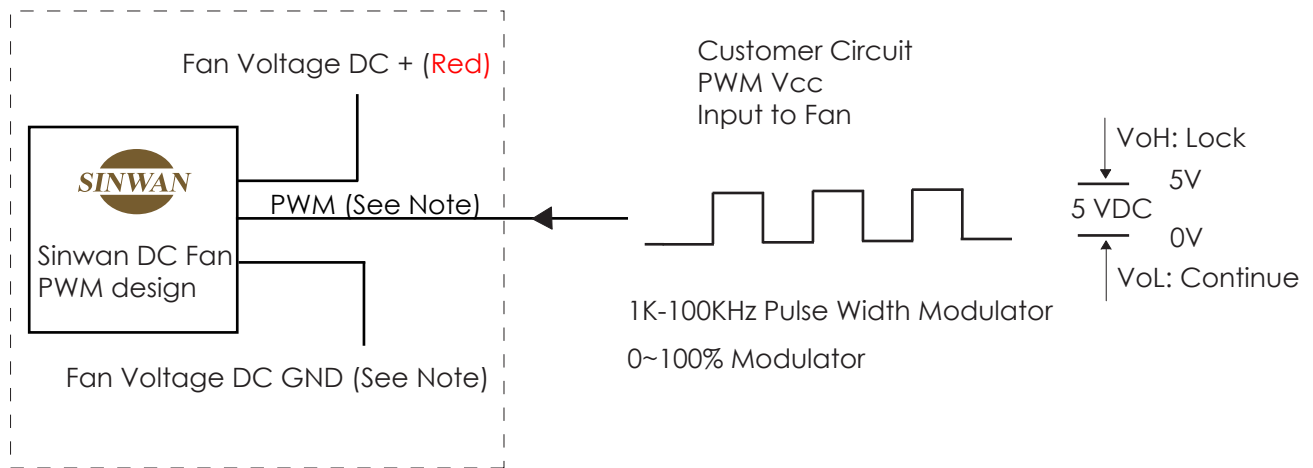


Sinwan DC Fan - PWM Speed Control

- * PWM Frequency: 1K~ 100K Hz
- * PWM, Pulse Width Modulation Range: Stop(0%) ~ Full(100%) speed.



Note: a.) DC + Red / DC GND Black / PWM Blue

- b.) DC + Red / DC GND 12V Blue / PWM Purple
- DC + Red / DC GND 24V Black / PWM Purple
- DC + Red / DC GND 48V Brown / PWM Purple

Sinwan Fan Motors Engineering Service:

Address: 8F, No.18, Lane 270, Sec.3, Pei Shen Rd., Shenkeng, Taipei, Taiwan 222

Phone: (886-2) 2662-0728

Fax: (886-2)2662-7019

Web: www.sinwan.com.tw

Email: sinwanfan@sinwan.com.tw